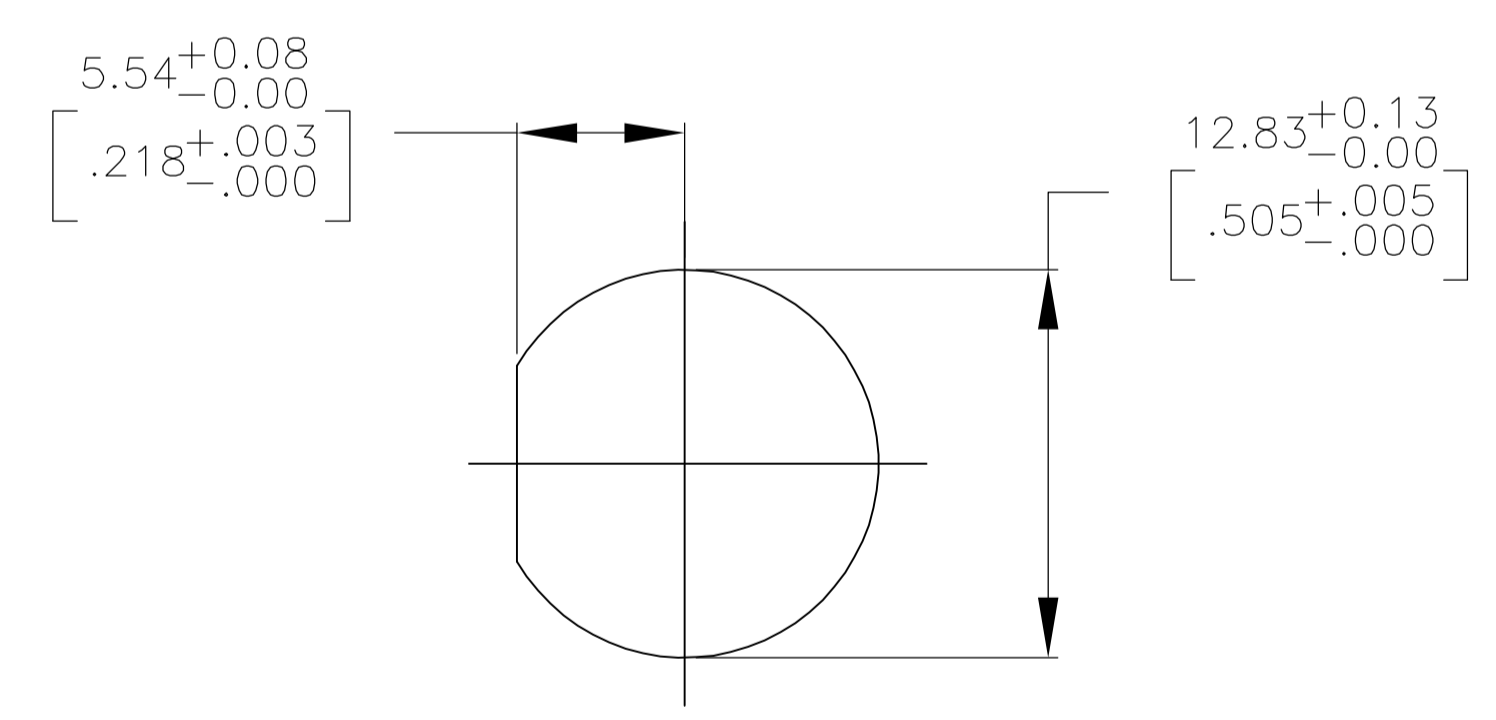
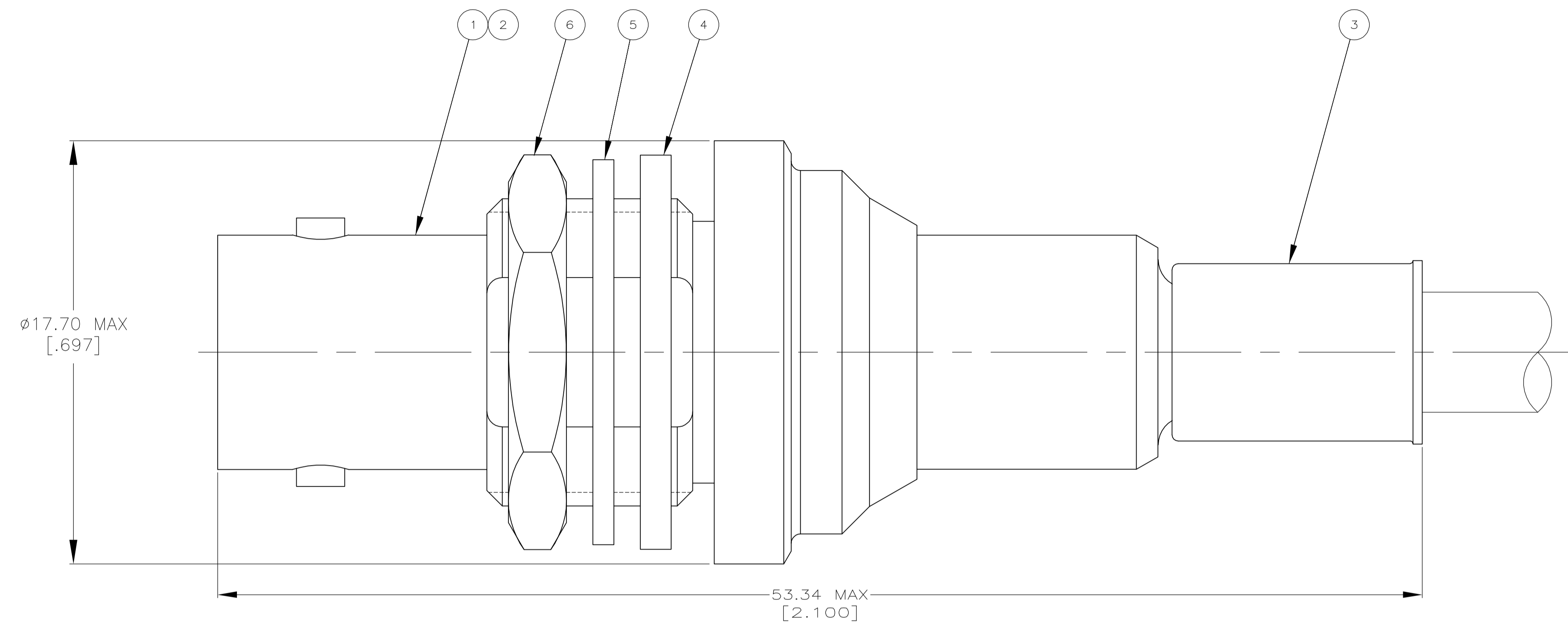
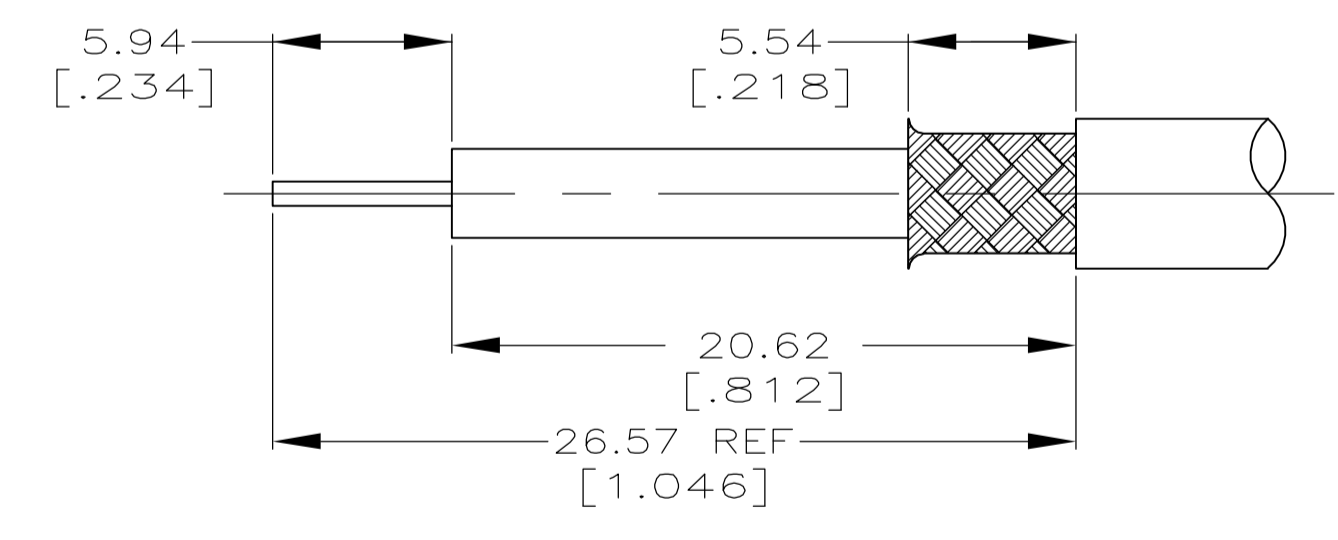


1. MAXIMUM PANEL THICKNESS = 6.35 [.25]
2. USE HAND TOOL 220022-2.
3. USE INSTRUCTION SHEET 408-9821.



RECOMMENDED PANED CUTOUT
SCALE 4:1



RECOMMENDED STRIP LENGTH
SCALE 4:1

RG-59/U, 59A/U, 59B/U, 62/U, 62A/U, 62B/U	1-329631-2	1-329632-2	328633	9-50428-0	225057-2	225060-4	5225059-3
FOR USE WITH CABLE	⑥ JAM NUT QTY=1	⑤ LOCK WASHER QTY=1	④ GASKET QTY=1	③ FERRULE QTY=1	② CONTACT QTY=1	① JACK ASSEMBLY QTY=1	PART NUMBER

THIS DRAWING IS A CONTROLLED DOCUMENT.

DIMENSIONS: mm [INCHES]	TOLERANCES UNLESS OTHERWISE SPECIFIED:	DIN J. HAVENER 01MAR2005		Tyco Electronics Corporation Harrisburg, Pa 17105-3608
0 PLC ± -	1 PLC ± -	01MAR2005		NAME
2 PLC ± -	3 PLC ± -	01MAR2005	PRODUCT SPEC	JACK, BULKHEAD, SHV
4 PLC ± -	ANGLES ± -		APPLICATION SPEC	
MATERIAL	FINISH	WEIGHT	SIZE	CAGE CODE
			A1	00779
CUSTOMER DRAWING			DRAWING NO	5225059
			SCALE	8:1
			SHEET	1 OF 1
			REV	0